



## Technical Bulletin

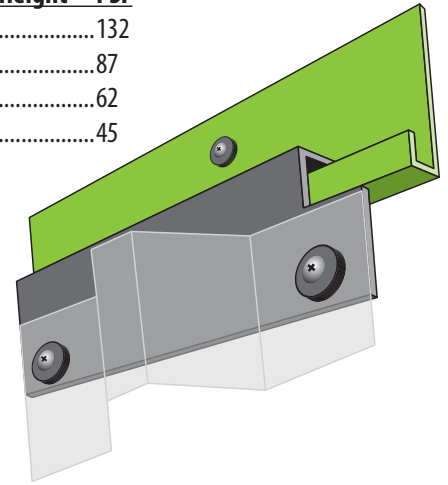
Superior to the **H-Header Hanging System!**

### Features & Benefits

- A heavy duty two-part hanging system consisting of two J-shaped aluminum extrusions that lock together
- Requires no ladders to install
- Architecturally pleasing
- Superior to the H-Header hanging system
- Meets Florida building code

### Allowable Design Pressure

Panel Height	PSF
60"	132
80"	87
100"	62
120"	45

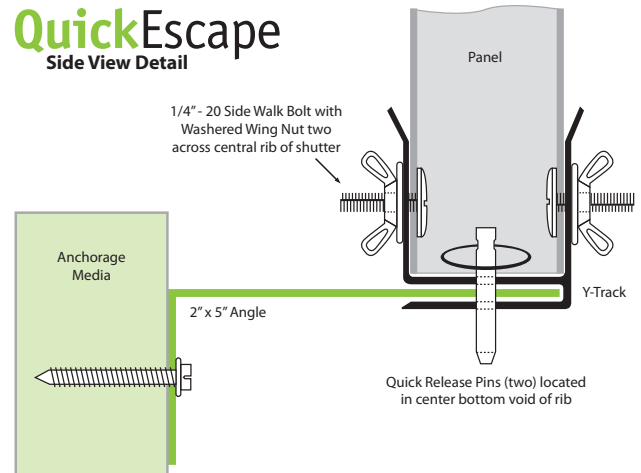


## Technical Bulletin

### QuickEscape Side View Detail

### Technical Data

- International Residential Code (IRC) Criteria: Emergency Egress
- Minimum width of opening: 20"
- Minimum height of opening: 24"
- Minimum net clear opening: 5.7 sq. ft. (5.0 sq. ft. for ground floor)
- Maximum sill height above floor: 44"



### Easy as One, Two, Three

1. Open the window
2. Pull out the two Quick Release pins
3. Push the panel open and climb out